



Compact Magnetic-Inductive Flow Meter

for conductivity liquids



measuring
•
monitoring
•
analysing



MIK with frequency-, switching-, analogue output



MIK with digital plug on display



MIK with dosing electronic

- Range from liquids, acids and caustic solutions:
0.05...1.0 up to 35...700 L/min
- Accuracy: $\pm 2.0\%$ of F.S.
- p_{\max} : 10 bar; t_{\max} : 80 °C
- Connection: G 1/2...G 2 3/4 male, diverse accessories
- Material:
normal liquids: PPS, st. st.
aggressive liquids:
PVDF, Hastelloy or Tantalum
- Advantage:
 - no moving parts in the measuring tube
 - low pressure loss
 - any mounting position
 - short reaction time – Replacement for calorimetric flow switch
 - high quality for lowest price



MIK with compact electronic

KOBOLD companies worldwide
ALGERIA, ARGENTINA, AUSTRALIA, AUSTRIA, BELGIUM, BULGARIA, CANADA, CHILE, CHINA, COLUMBIA, CZECHIA, DOMINICAN REPUBLIC, EGYPT, FRANCE, GERMANY, GREAT BRITAIN, HUNGARY, INDIA, INDONESIA, IRAN, ITALY, MALAYSIA, MEXICO, MOROCCO, NETHERLANDS, PERU, PHILIPPINES, POLAND, ROMANIA, SINGAPORE, SLOVAKIA, SOUTH KOREA, SPAIN, SWITZERLAND, THAILAND, TUNISIA, USA, VENEZUELA, VIETNAM

KOBOLD Messring GmbH
Nordring 22-24
D-65719 Hofheim/Ts.
☎ +49(0)6192 299-0
☎ +49(0)6192 23398
E-Mail: info.de@kobold.com
Internet: www.kobold.com

Typ:
MIK



Description

The new KOBOLD flow meter Type MIK is used for measuring and monitoring smaller and medium-sized flow of conductivity liquids in pipes.

The device operates according to the magnetic induction measurement principle. According to Faraday's Law of magnetic induction a voltage is induced in a conductor moving through a magnetic field. The electrically conductive measuring agent acts as the moved conductor. The voltage induced in the measuring agent is proportional to the flow velocity and is therefore a value for the volumetric flow. The flowing media must have a minimum conductivity. The induced voltage is picked up by two sensing electrodes which are in contact with the measuring agent and sent to the measuring amplifier. The flow rate will be calculated based on the cross sectional area of the pipe.

The measurement is not depending on the process liquid and its material properties such as density, viscosity and temperature.

The device may be equipped with a switch, frequency or analogue output. Moreover, there is a compact electronic system to be selected from, which contains a switch and an analogue output.

The device series is completed by an optionally obtainable dosing and counter electronic system. The counter electronics system shows the current flow rate on the first line of the display and shows the partial or overall volume on the second line. A dosing electronic system controls simple filling duties and also measures the flow rate, overall volume and filling volume. The analogue output and two relay outputs can be utilised for the further processing of signals.

Medias

- Electric conductivity liquids
- Acids and caustic solutions
- Drinking, cooling and waste water
- Ground water, raw water
- Aggressive or salty solution
- Unsuitable for oil (missing conductivity)

Areas of application

Flow monitoring, flow measuring, dosing and counting for:

- Machine building
- Chemical Industry
- Paper Industry
- Automobile Industry
- Cement Industry
- Laboratory

Technical Data

Range: see tabelle
 Accuracy: ±2.0% of f.s.
 Repeat accuracy: ±1.0% of f.s. (f.s. = full scale)
 Measurement process: magnetic inductive
 Electrical conductivity: min. 30 µS/cm
 Mounting position: in all directions, flow in direction of the arrow
 In-/Outlet: 3 x DN/2 x DN
 Media temperature: -20...+80°C (max. +60 °C with PVC-connection set)
 Ambient temperature: -10...+60°C
 Max. pressure: 10 bar
 Max. pressure loss: max. 250 mbar at f.s.

Wetted Parts

Sensor housing: PPS or PVDF, fibreglass-reinforced
 Connection set: PVC-glue connection or hose connection, weld-on ends st.st. 1.4404
 Electrodes: st.st. 1.4404, Hastelloy C4 or Tantalum
 Seal: NBR, FPM or FFKM
 Response time t_{90} : approx. 1 s
 Protection: IP 65

Connection/Ranges

Connection	Inside diameter	Flow velocity at F.S.	Range
G ½ male	5 mm	approx. 0.9 m/s	0.05...1.0 L/min
		approx. 2.7 m/s	0.16...3.2 L/min
G ¾ male	10 mm	approx. 2.2 m/s	0.5...10.0 L/min
		approx. 3.5 m/s	0.8...16.0 L/min
G 1 male	15 mm	approx. 3.0 m/s	1.6...32.0 L/min
		approx. 4.7 m/s	2.5...50 L/min
G 1½ male	20 mm	approx. 3.3 m/s	3.2...63 L/min
		approx. 5.3 m/s	5.0...100 L/min
G 2 male	32 mm	approx. 3.3 m/s	8...160 L/min
		approx. 6.6 m/s	16...320 L/min
G 2¾ male	54 mm	approx. 3.6 m/s	25...500 L/min
		approx. 5.1 m/s	35...700 L/min



MIK-...F300, MIK-...F390

Impulse output: PNP, Open Collector, max. 200 mA
 500 Hz at f.s. (...F300)
 50...1000 Hz at f.s. (...F390)
 proportionally to the flow

Power supply: : 24 V_{bc} ±20 %

Power consumption: 60 mA

Electrical connection: plug M12x1

MIK-...S300, MIK-...S30D

Display: duo-LED for switch status

Switching output: relay SPDT max. 1 A/30V_{DC}
 or active 24 V_{bc}, N/C/N/O

Switch point: 10 ...100% of f.s. in 10%-steps
 that can be configured by the
 customer using a rotary switch

Power supply: 24 V_{bc} ±20 %

Power consumption: 80 mA

Electrical connection: plug M12x1, 5-pin

MIK-...L303; MIK-...L343

Output: 0(4)-20 mA, 3-wire

Max. load: 500 Ω

Power supply: 24 V_{DC} ±20%

Power consumption: 80 mA

Electrical connection: plug M12x1

MIK-...L443 (usage with AUF-3000)

Output: 4-20 mA, 3-wire

Max. load: 500 Ω

Power supply: 24 V_{bc} ±20 %

Power consumption: 80 mA

Electrical connection: plug DIN 43650

MIK-...C3xx (Compact electronics)

Display: 3-digit LED

Analogue output: (0)4...20 mA adjustable
 (only MIK-...C34x)

Max. load: 500 Ω

Switching output: 1(2) semiconductor PNP or NPN,
 set at factory

Contact function: N/C/N/O-frequency programmable

Settings: via 2 buttons

Power supply: 24 V_{bc} ±20 %, 3-wire

Power consumption: approx. 120 mA

Electrical connection: plug M12x1

MIK-...Exxx (Counter electronics)

Display: LCD, 2x8 digit, illuminated
 total, part and flow quantities,
 units selectable

Quantity meter: 8-digit

Analogue output: (0)4...20 mA adjustable

Load: max. 500 Ω

Switching output: 2 relays, max. 250 V/5 A/1000 VA

Settings: via 4 buttons

Functions: reset, MIN/MAX memory,
 flow monitor, monitoring for part
 and total quantity, language

Power supply: 24 V_{bc} ±20 %, 3-wire

Power consumption: approx. 150 mA

Electrical connection: cable connection or M12 plug
more technical details see data sheet ZED in the brochure Z2

MIK-...Gxxx (Dosing electronics)

Display: LCD, 2x8 digit, illuminated,
 dosing-, total-, and flow quantity,
 units selectable

Quantity meter: 8-digit

Dosage: 5-digit

Analogue output: (0)4...20 mA adjustable

Load: max. 500 Ω

Switching output: 2 relays, max. 250 V/5 A/1000 VA

Settings: via 4 buttons

Functions: dosing (relay S2), start, stop,
 reset, fine dosing,
 correction amount, flow switch,
 total quantity, language

Power supply: 24 V_{bc} ±20 %, 3-wire

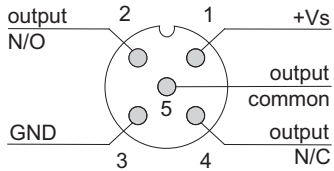
Power consumption: approx. 150 mA

Electrical connection: cable connection or M12 plug
more technical details see data sheet ZED in the brochure Z2

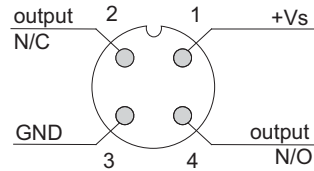


Electrical Connections

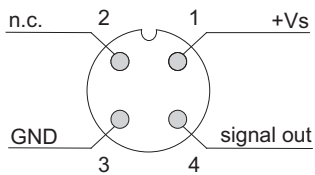
MIK-...S300



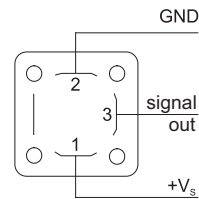
MIK-...S30D



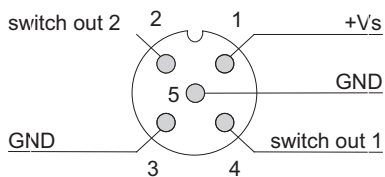
MIK-...L3x3, MIK-...F3x0



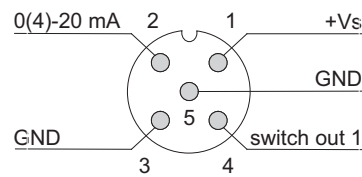
MIK-...L443



MIK-...C30*



MIK-...C34*

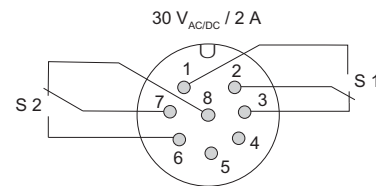
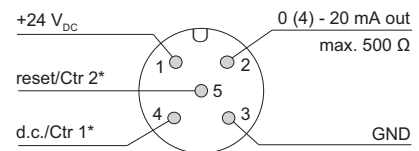


MIK-...E14R, MIK-...G14R Cable Connection

Wire number	MIK-...E14R Counter electronics	MIK-...G14R Dosing electronics
1	+24 V _{DC}	+24 V _{DC}
2	GND	GND
3	4-20 mA	4-20 mA
4	GND	GND
5	Reset part quantity	Control 1*
6	n. c.	Control 2*
7	Relay S1	Relay S1
8	Relay S1	Relay S1
9	Relay S2	Relay S2
10	Relay S2	Relay S2

* Control 1 <-> GND: Start-dosing
 Control 2 <-> GND: Stop-dosing
 Control 1 <-> Control 2 <-> GND: Reset-dosing

Plug Connection





Order Details (Example: MIK-5NA 10 A F300)

Model	Range	Connection set	Electronics
MIK-5NA... = PPS-housing, NBR-seal, st. st.- electrode	..10.. = 0.05...1.0 L/min, G ½	..A.. ¹⁾ = without	frequency output ..F300 = M12-plug, 500 Hz ..F390 = M12-plug, 50...1000 Hz
	..15.. = 0.16...3.2 L/min, G ½	..P.. = PVC-hose connection ..E.. = st. st. weld-on ends	
MIK-5VA... = PPS-housing, FPM-seal, st. st.-electrode	..20.. = 0.5...10.0 L/min, G ¾	..A.. ¹⁾ = without	switching output ..S300 = relay, M12-plug ..S30D = active 24 V _{DC} , M12-plug
	..25.. = 0.8...16.0 L/min, G ¾		
MIK-6FC... = PVDF-housing, FFKM-seal, Hastelloy- electrode	..30.. = 1.6...32.0 L/min, G 1	..K.. = PVC-glue connection ..P.. = PVC-hose connection ..E.. = st. st. weld-on ends	analogue output ..L303 = M12-plug, 0-20 mA ..L343 = M12-plug, 4-20 mA ..L443 = DIN-plug, 4-20 mA
	..35.. = 2.5...50.0 L/min, G 1		
MIK-6FT... = PVDF-housing, FFKM-seal, Tantalum electrode	..50.. = 3.2...63 L/min, G 1½	..A.. ¹⁾ = without ..K.. = PVC-glue connection ..E.. = st. st. weld-on ends	compact electronics ..C30R = 2xOpen Coll. PNP ..C30M = 2xOpen Coll. NPN ..C34P = 0(4)-20 mA, 1xOpen Coll. PNP ..C34N = 0(4)-20 mA, 1xOpen Coll. NPN
	..55.. = 5.0...100 L/min, G 1½		
..60.. = 8...160 L/min, G 2			
..65.. = 16...320 L/min, G 2			
..80.. = 25...500 L/min, G 2¾			
..85.. = 35...700 L/min, G 2¾			
			counter electronics ..E14R = LCD, 0(4)-20 mA, 2xrelay, 1 m cable ..E34R = LCD, 0(4)-20 mA, 2xrelay, M12-plug
			dosing electronics ..G14R = LCD, 0(4)-20 mA, 2xrelay, 1 m cable ..G34R = LCD, 0(4)-20 mA, 2xrelay, M12-plug

¹⁾ incl. frontal gaskets (2 pc. O-rings)

Weight Sensor

Model	PPS	PVDF
MIK-...10/15 (½")	approx. 180 g	approx. 210 g
MIK-...20/25 (¾")	approx. 190 g	approx. 215 g
MIK-...30/35 (1")	approx. 270 g	approx. 325 g
MIK-...50/55 (1½")	approx. 410 g	approx. 500 g
MIK-...60/65 (2")	on request	on request
MIK-...80/85 (2¾")	on request	on request

Weight Electronics

Model	Weight
MIK-...F3x0	approx. 80 g
MIK-...S30x	
MIK-...Lxx3	
MIK-...C3xx	approx. 300 g
MIK-...Exxx	approx. 250 g
MIK-...Gxxx	

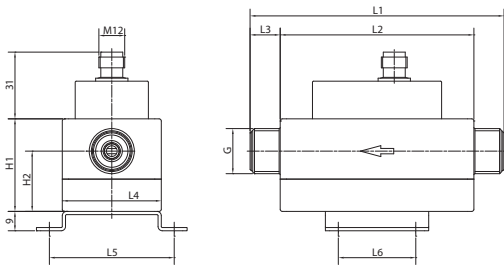
Total weight = Weight Sensor + Weight Electronics



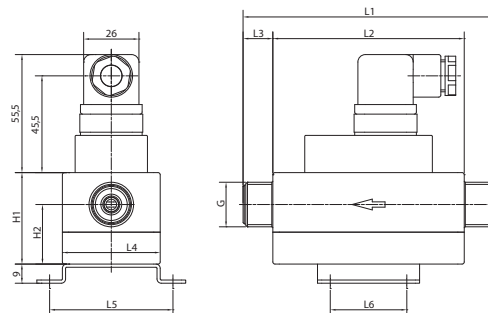
Dimensions

Model	G	L1	L2	L3	L4	L5	L6	H1	H2
MIK-xxx10A/ MIK-xxx15A	G ½	118	90	14	46	58	36	43	28
MIK-xxx20A MIK-xxx25A	G ¾	122	90	16	46	58	36	43	28
MIK-xxx30A MIK-xxx35A	G 1	126	90	18	46	58	36	49.5	29.5
MIK-xxx50A/ MIK-xxx55A	G 1½	134	90	22	68	80	36	66	31.5
MIK-xxx60A/ MIK-xxx65A	G 2	138	90	24	68	80	36	72	36
MIK-xxx80A/ MIK-xxx85A	G 2¾	202	150	26	96	110	75	104	52

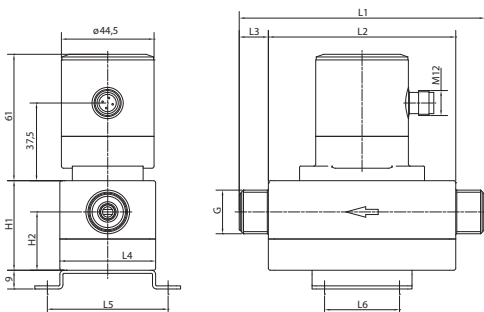
MIK-...F3x0, MIK-...S30x, MIK-...L3x3



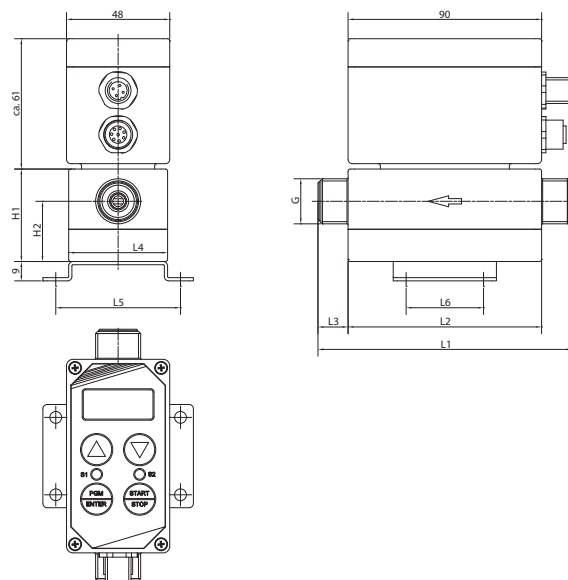
MIK-...L443

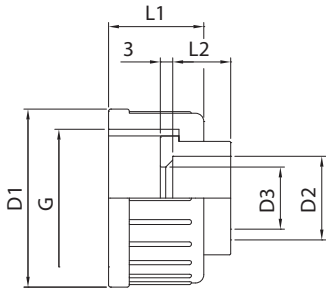


MIK-...C3xx



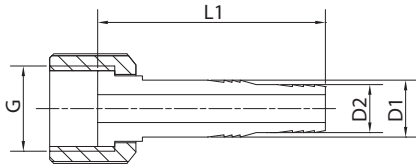
MIK-...Ex4R, MIK-...Gx4R





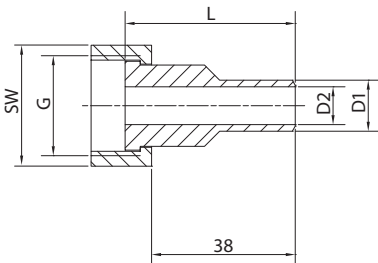
Dimensions Connection set PVC-glue connection

G	D1	D2	D3	L1	L2
G 1/2	not available				
G 3/4	Ø35	Ø16	Ø10.5	21	14
G 1	Ø43	Ø20	Ø15	23	16
G 1 1/2	Ø60	Ø32	Ø26	27	22
G 2	Ø74	Ø40	Ø33	30	26
G 2 3/4	Ø103	Ø63	Ø54	38	38



Dimensions Connection set PVC-hose connection

G	D1	D2	L
G 1/2	Ø14	Ø12	56
G 3/4	Ø18	Ø16	60
G 1	Ø22	Ø20	67
G 1 1/2	not available		
G 2	not available		
G 2 3/4	not available		



Dimensions Connection set st.st. weld-on ends

G	SW	L	D1	D2
G 1/2	24	45	Ø10.2	Ø5
G 3/4	32	45	Ø13.5	Ø10
G 1	41	45	Ø19	Ø15
G 1 1/2	55	60	Ø25	Ø20
G 2	70	60	Ø38	Ø32
G 2 3/4	90	60	Ø60.3	Ø54