



- Measuring range:  
liquids: up to 5 m  
solids: up to 2 m
- Accuracy:  
0.25% max. span
- Resolution: 3 mm
- Pressure: max. 3 bar abs.,  
Temperature: max. 80°C
- Connection:  
G 1 1/2 male thread
- Case material:  
PBT glass-fibre-reinforced
- Connection material:  
PVDF



KOBOLD offices exist in the following countries:

**ARGENTINA, AUSTRIA, BELGIUM, CANADA, CHINA,  
FRANCE, GERMANY, GREAT BRITAIN, NETHERLANDS,  
POLAND, SINGAPORE, SWITZERLAND, USA, VENEZUELA**

KOBOLD Messring GmbH  
Nordring 22-24  
D-65719 Hofheim/Ts.  
☎ (06192) 299-0  
☎ (06192) 23398  
E-mail: info.de@kobold.com  
Internet: www.kobold.com

**Model:**  
NUS



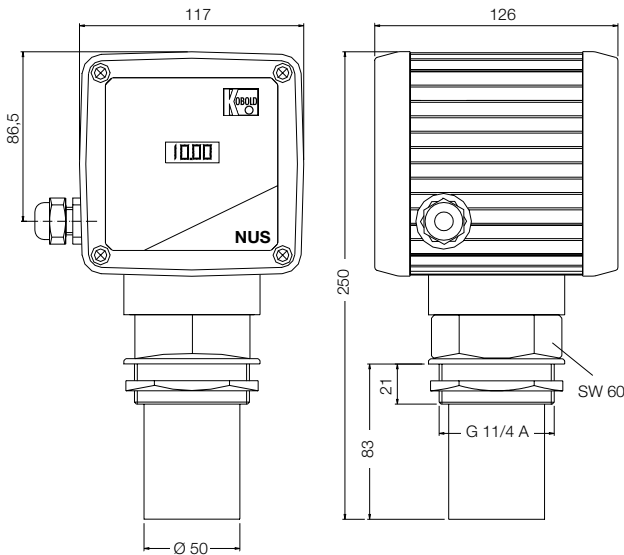
**Description**

The KOBOLD ultrasonic level meter model NUS is used for non-contact, continuous level measuring. The compact instrument contains an integrated temperature sensor for sound travel time compensation. The measuring range is adjustable. The instrument operates on the ultrasonic principle. The sensor transmits pulses of ultrasonic pulses to the surface of a liquid or bulk material. The reflected pulses are received by the same sensor. The electronics evaluates the echo time of the pulses and determines the level. A standard signal output for teletransmission and an LED display for local indication are available.

**Applications**

- Liquids
- Coarse-grained media

**Dimensions**

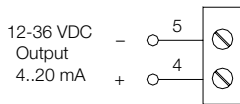


**Technical Details**

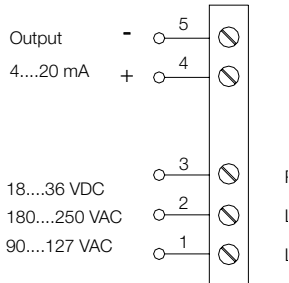
Housing:	PBT glass-fibre-reinforced
Sensor and connection:	PVDF
Flow rates:	liquids: up to 5 m solids: up to 2 m
Measuring accuracy:	0.25% max. span
Resolution:	3 mm
Block distance:	0.25 m
Frequency:	approximately 70 kHz
Pulse frequency:	0.5 to 3 Hz
Beam cone:	5.5° conical
Min. delay time:	approximately 5 s
Output signal:	4 to 20 mA
Load:	max. 600 ohm
Process temperature:	-40 to 80°C
Ambient temperature:	-20 to 60°C
Max. operating temperature:	3 bar abs.
Protection:	IP 67
Design:	compact instrument
Dimensions:	see sketch
Process connection:	G 1 1/2" male thread
Cable entry fitting:	PG 16
Auxiliary power:	12 to 36 VDC (2-wire) 18 to 36 VDC (4-wire) 90 to 127 VAC (4-wire) 180 to 250 VAC (4-wire)
Display (option):	4-digit LED

**Electrical connection**

**2-wire**



**4-wire**



**Order Details** (Example: NUS-1053)

Supply	Order number	
	without LED display	with LED display
12-36 VDC, 2-wire	<b>NUS-1053</b>	<b>NUS-2053</b>
18-36 VDC, 4-wire	<b>NUS-1057</b>	<b>NUS-2057</b>
90-127 VAC, 4-wire	<b>NUS-1051</b>	<b>NUS-2051</b>
180-250 VAC, 4-wire	<b>NUS-1050</b>	<b>NUS-2050</b>