

NEW

ELECTRIC ACTUATOR SA 09

- Design for small quarter-turn applications. This actuator can also automate valves requiring up to 360-degrees rotation
- Engineered to be lightweight and compact for greater versatility
- The unique housing design allows various options to be installed without additional cost of an external enclosure.
- Local Control Unit
Local / Remote Selector switch
Open / Stop / Close Selector switch
- 4-LED lights are located inside the high impact dome indicator. When the actuator reaches the full open or full close position, the dome lights will illuminate and allow added visibility over a greater distance or in low light areas.
- To help protect the components and extend the actuator's life, a 2-watt anti-condensation heater is included as standard.
- Included with the end of travel motor switches are two additional dry-contacts for auxiliary indication.
- A thermal protector is provided to protect the motor from over heating.
- The worm gear drive eliminates the possibility of back drive and the need for motor brakes.
- Designed for mounting in any orientation.
- In case of a power loss, the manual over-ride is provided for positioning the valve.
- 3 ISO mounting pads are provided for greater flexibility.



SA-09

SA-09L

PERFORMANCE

MODEL	OUTPUT TORQUE		OPERATING TIME (90°)		MOTOR CLASS (E)	RATED CURRENT				DUTY CYCLE	NUMBER OF HANDLE TURNS	WEIGHT
	Kg.m	N.m	60Hz	50Hz		W	1 PHASE (V)					
					24V		110V	220V	24V			
SA-09	9	90	35	42	6	1.8	0.35	0.23	1.8	75	6	3.2
SA-09L	9	90	35	42	6	1.8	0.35	0.23	1.8	75	6	3.2

OPTION



LED LIGHT



P.C.U

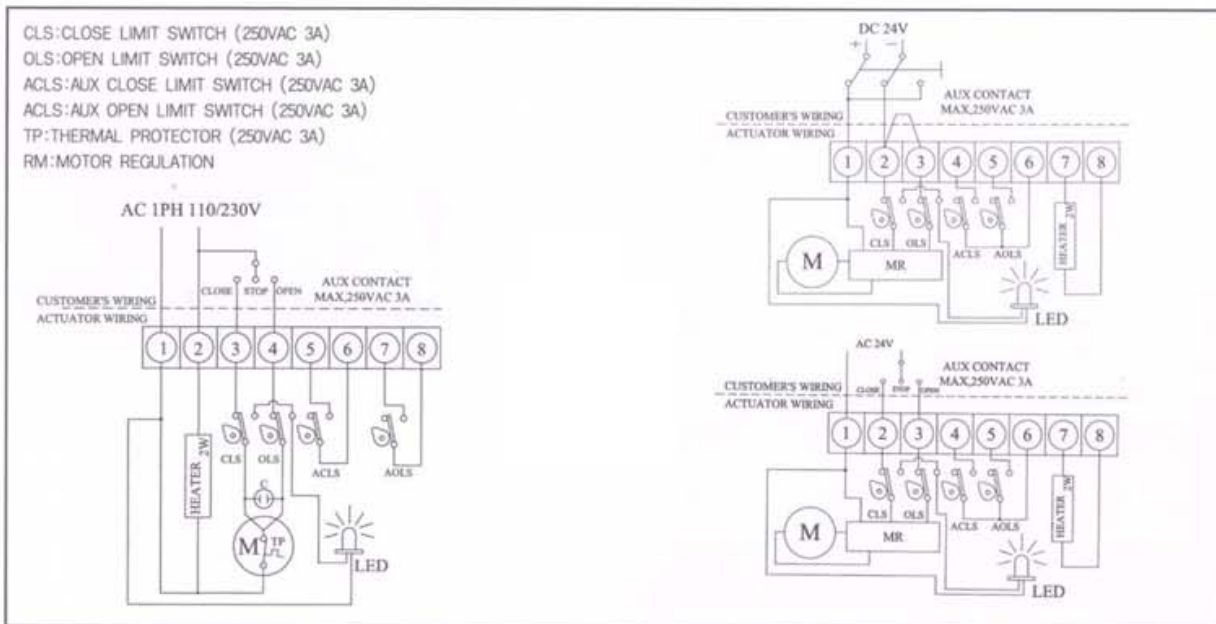
		SA-09	SA-09L
P.I.U	Potentiometer Unit (1K-Ohm)		•
C.P.T	Current Position Transmitter Output DC 4-20mA		•
P.C.U	Proportional Control Unit Input : DC 4-20mA, 2-10V, 0-5V, 0-10V, 1-5V Output : DC 4-20mA		•
L.C.U	Local Control Unit		•



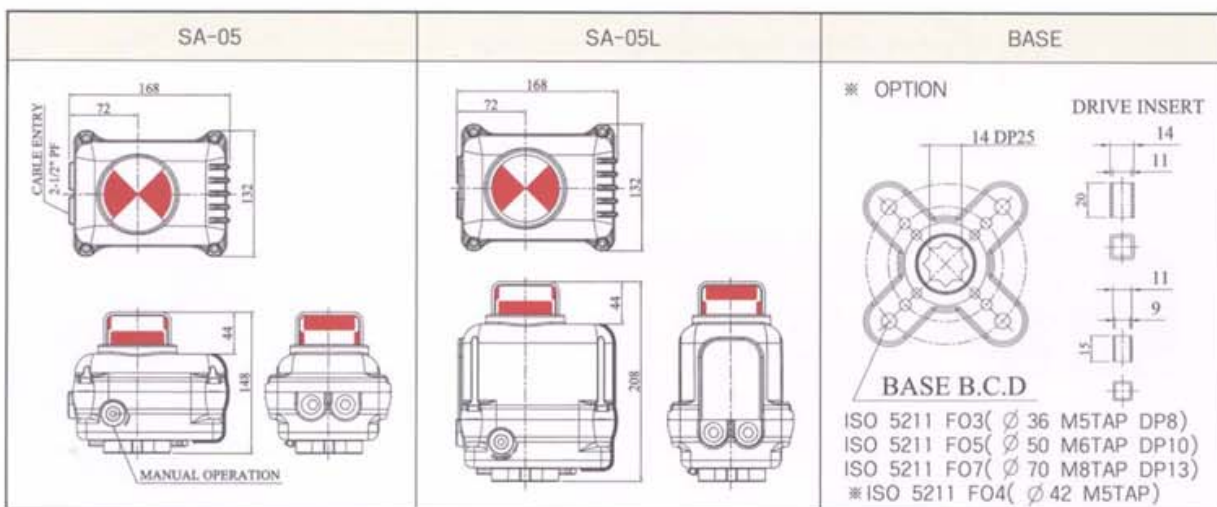
STANDARD SPECIFICATION

Indicator	Dome type(LED light inside)	Enclosure	Weatherproof enclosure IP68 Nema 4and6
Ambient temperature	-20°C to 70°C	Power supply	AC 110/230V 1 PH ±10% 50/60Hz DC 24V(AC24V)
Limit switches	2 Open/Close + Dry contact2 Open/ close	Travel angle	90° ±5° (extention:upto 360°)
Manual operation	By L-wrench(6mm hexagon)	Self locking	Provided by means of worm gearing
Space heater	2W(110/230VAC,24VDC)	Conduit entries	Tow PF1/2"(option:PG13.5, NPT1/2")
Lubrication	Grease moly(EP type)	Materials	Steel,aluminium alloy, bronze
Surface Treatment	Anodizing	External coating	polyester(TGIC-free)

STANDARD WIRING



DIMENSION



EUNHA MACHINERY INDUSTRIAL CO.,LTD(EMICO)
 141 Kwangmyong Industrial Complex 201, Haan-dong
 Kwangmyong-city Kwonggi-do, Korea

TEL : 82-2-806-4263 FAX : 82-2-806-4266

Web site: www.emico.co.kr

E-mail : actuator@emico.co.kr

Certificate No. I 2003-483-U1