

ELECTRIC ACTUATOR SA SERIES

- Designed for small quarter-turn applications. This actuator can also automate valves requiring up to 360-degrees rotation
- Engineered to be lightweight and compact for greater versatility.
- The unique housing design allows various options to be installed without the additional cost of an external enclosure.
- 4-LED lights are located inside the high impact dome indicator. When the actuator reaches the full open or full close position, the dome lights will illuminate and allow added visibility over a greater distance or in low light areas.
- To help protect the components and extend the actuator's life, a 2-watt anti-condensation heater is included as standard.
- Included with the end of travel motor switches are two additional dry-contacts for auxiliary indication.
- A thermal protector is provided to protect the motor from over heating.
- The worm gear drive eliminates the possibility of back drive and the need for motor brakes
- Designed for mounting in any orientation.
- In case of a power loss, the manual over-ride is provided for positioning the valve.
- 3 ISO mounting pads are provided for greater flexibility.

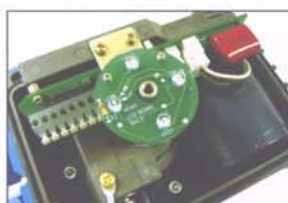


SA-05

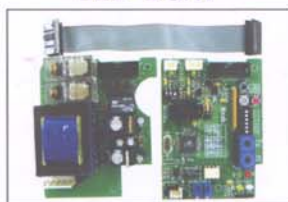
SA-05L

PERFORMANCE

MODEL	OUTPUT TORQUE		OPERATING TIME(90°)		MOTOR CLASS(E)	RATED CURRENT(mA)				DUTY CYCLE	NUMBER OF HANDDLE TURNS	WEIGHT
	Kg.m	N.m	60Hz	50Hz		W	1 PHASE(AC)					
					24V		110V	230V	24V	S2(%)	Kg	
SA-05	5	50	14	17	6	1.8	0.35	0.23	1.8	75	6	2.8
SA-05L	5	50	14	17	6	1.8	0.35	0.23	1.8	75	6	3.2



LED LIGHT



P.C.U

OPTION

		SA-05	SA-05L
P.I.U	Potentiometer Unit(1k-Ohm)	●	●
C.P.T	Current Position Transmitter Output DC 4-20mA		●
P.C.U	Proportional control Unit Input:DC 4-20mA, 2-10V Output:DC 4-20mA		●
L.C.U	Local Control Unit		●

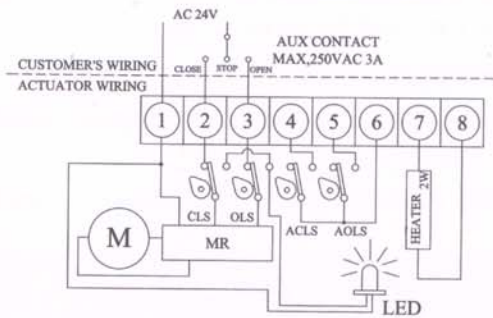
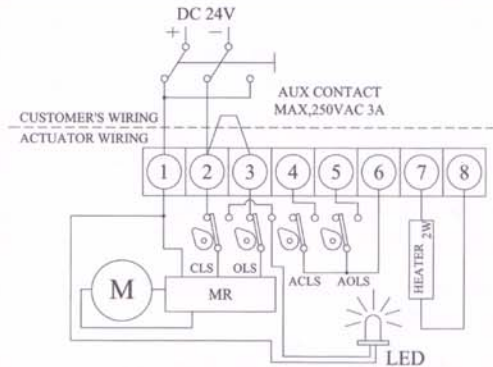
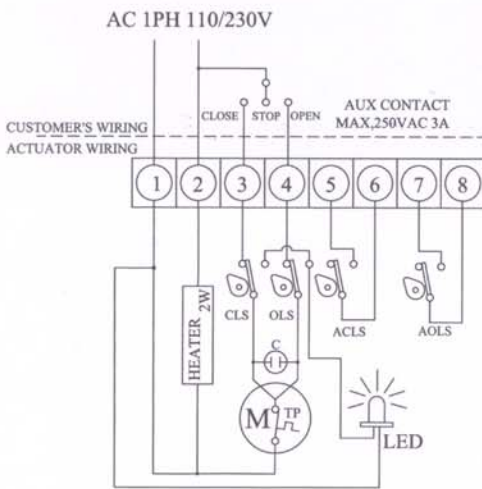


STANDARD SPECIFICATION

Indicator	Dome type(LED light inside)	Enclosure	Weatherproof enclosure IP68 Nema 4and6
Ambient temperature	-20°C to 70°C	Power supply	AC 110/230V 1 PH ±10% 50/60Hz, DC 24V(AC24V)
Limit switches	2 Open/Close + Dry contact 2 Open/ close	Travel angle	90° ±5° (extension: upto 360°)
Manual operation	By L-wrench(6mm hexagon)	Self locking	Provided by means of worm gearing
Space heater	2W(110/230VAC,24VDC)	Conduit entries	Tow PF1/2" (option:PG13.5, NPT1/2")
Lubrication	Grease moly(EP type)	Materials	Steel,aluminium alloy, bronze
Surface Treatment	Anodizing	External coating	polyester(TGIC-free)

STANDARD WIRING

CLS:CLOSE LIMIT SWITCH (250VAC 3A)
 OLS:OPEN LIMIT SWITCH (250VAC 3A)
 ACLS:AUX CLOSE LIMIT SWITCH (250VAC 3A)
 AOLS:AUX OPEN LIMIT SWITCH (250VAC 3A)
 TP:THERMAL PROTECTOR (250VAC 3A)
 RM:MOTOR REGULATION



DIMENSION

SA-05	SA-05L	BASE
		<p>※ OPTION</p> <p>DRIVE INSERT</p> <p>BASE B.C.D</p> <p>ISO 5211 F03(∅ 36 M5TAP DP8) ISO 5211 F05(∅ 50 M6TAP DP10) ISO 5211 F07(∅ 70 M8TAP DP13) ※ ISO 5211 F04(∅ 42 M5TAP)</p>



EUNHAMACHINERY INDUSTRIAL CO.,LTD(EMICO)
 141 Kwangmyong Industrial Complex 201,Haan-dong
 Kwangmyong-city Kyonggi-do,Korea
 TEL:82-2-806-4263 FAX:82-2-806-4266
 Web site:www.emico.co.kr
 E-mail:noah@emico.co.kr

Certificate No. | 2003-483-U1